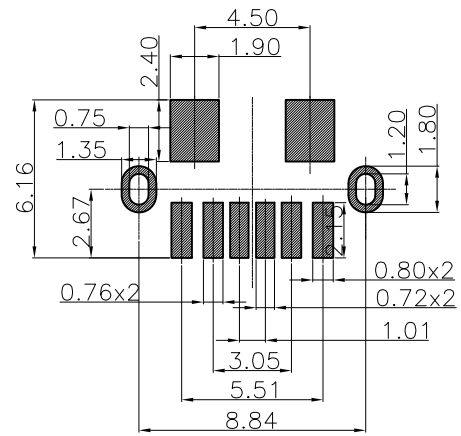
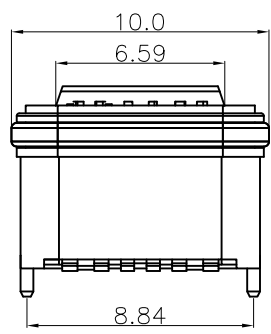
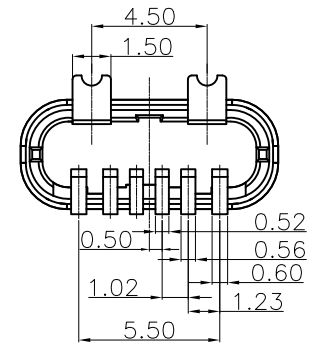
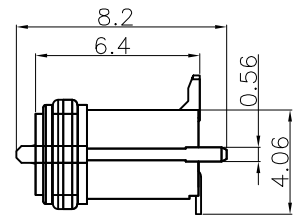
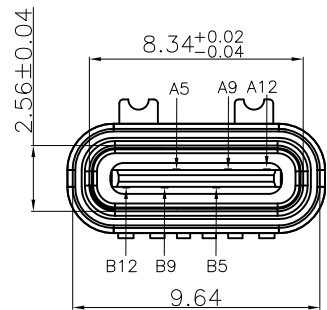
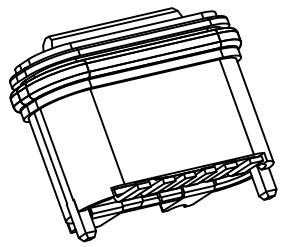
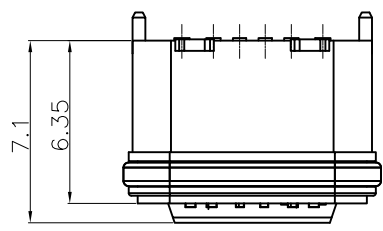


1. Material/Plated
 1.1 Housing: High temperature thermoplastic, Black UL 94V-0.
 1.2 Terminal: Copper Alloy, Gold Plated Nickel Underplated
 1.3 Shell: Zinc Alloy, Nickel plated
 1.4 Ring: Silicon
 1.5 Epoxy: Epoxy, Black
 2. Electrical Performance
 2.1 Rated Voltage: 30V AC
 2.2 Rated Current: 5.0A Max.
 2.3 Contact Resistance: 40mΩ Max.
 2.4 Insulation Resistance: 100MΩ Min.
 2.5 Dielectric Strength: 100V AC
 3. Mechanical Performance
 3.1 Insertion Force: 5-20N
 3.2 Withdrawal Force: 6-20N
 3.3 Durability: 10000 Cycles
 4. Operating Temperature: -25° C To +85° C
 5. Waterproof: IPX7

Connector Pin Assignments

A5	CC1	B12	GND
A9	VBUS	B9	VBUS
A12	GND	B5	GND
PIN	SIGNAL NAME	PIN	SIGNAL NAME



RECOMMENDED PCB LAYOUT
 TOLERANCE UNSPECIFIED: ±0.05mm

						DRAWN	Tom	2019-10-19	DIMENSION TOLERANCE X ±0.35 X.X ±0.25 X.XX ±0.15 GENERAL ANGLE: ±3° UNIT: mm	东莞市实邦电子有限公司 IDSTRB ELECTRONIC CO., LTD	TITLE	USB TYPE-C F 6P WATERPROOF ST
					CHECKED	Ango	2019-10-19	PART NO.			UCX-038W1A	
A	NEW RELEASE		Tom	2019-10-19	APPROVE	Kevin	2019-10-19	DWG. NO.				
REV.	DESCRIPTION	ECN NO.	NAME	DATE	SCALE: N/A	SHEET: 1 OF 1						
REVISIONS												