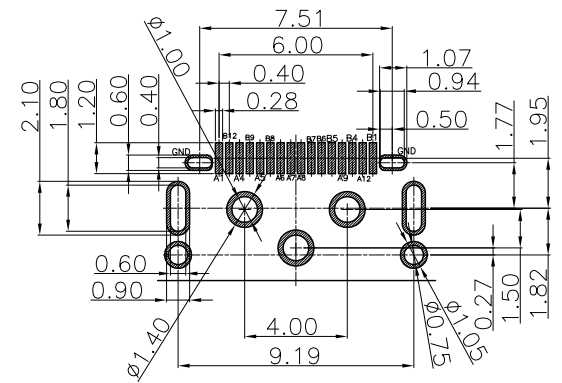
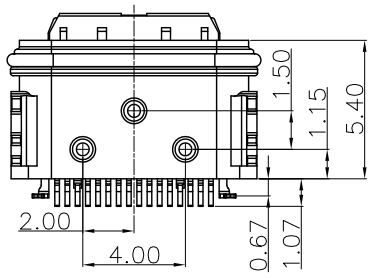
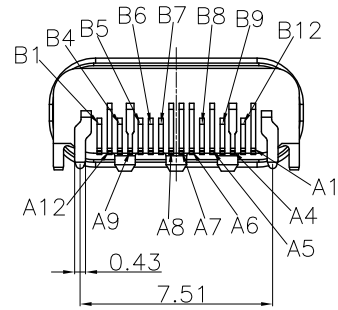
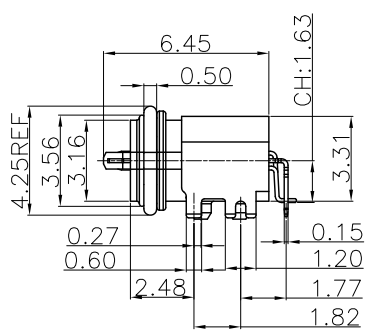
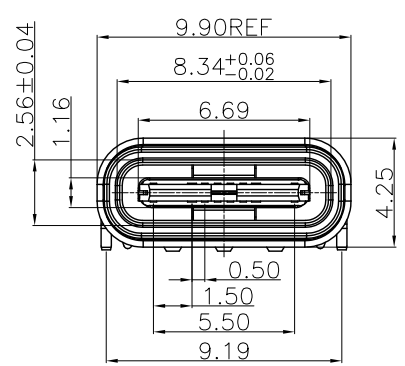


参考图面

1. Material/Plated
 - 1.1 Housing: High temperature thermoplastic, Black UL 94V-0.
 - 1.2 Terminal: Copper Alloy, Gold Flash Plated At Contact Area, Tin Plated At Soldered Area, Nickel Underplated Overall
 - 1.3 Shell-1: Stainless steel
 - 1.4 Shell-2: Zinc Alloy, Nickel plated
 - 1.5 Shell Plate: Stainless steel, Nickel plated
 - 1.6 Ring: Silicon
 - 1.7 Epoxy: Epoxy, Black
2. Electrical Performance
 - 2.1 Rated Voltage: 30V AC
 - 2.2 Rated Current: 5.0A Max.5
 - 2.3 Contact Resistance: 30mΩ Max.
 - 2.4 Insulation Resistance: 100MΩ Min.
 - 2.5 Dielectric Strength: 100V AC
3. Mechanical Performance
 - 3.1 Insertion Force: 5-20N
 - 3.2 Withdrawal Force: 8-20N
 - 3.3 Durability: 10000 Cycles
4. Operating Temperature: -25° C To +85° C
5. Waterproof: IPX7



RECOMMENDED PCB LAYOUT
TOLERANCE UNSPECIFIED: ±0.05mm

REV.	DESCRIPTION	ECN NO.	NAME	DATE
A	NEW RELEASE		Tom	2019-07-29
REVISIONS				

DRAWN	Tom	2019-07-29
CHECKED	Ango	2019-07-29
APPROVE	Kevin	2019-07-29
SCALE: N/A	SHEET: 1 OF 1	

东莞市实邦电子有限公司 IDSTRB ELECTRONIC CO., LTD	
TITLE	USB TYPE-C F 16P WATERPROOF
PART NO.	UCX-034S1A
DWG. NO.	