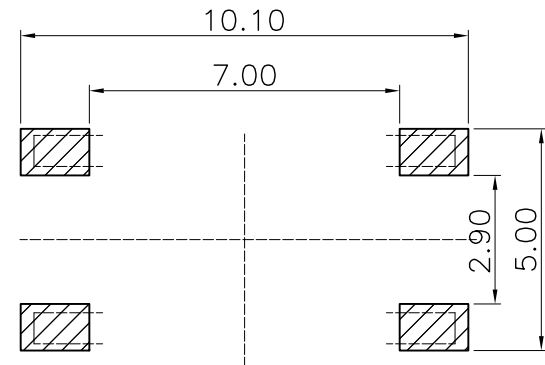


MODEL NO.	"H" (mm)	FORCE
TD-20XA-*	2.6mm	T: 100gf
TD-20XC-*	3.4mm	V: 130gf
TD-20XD-*	4.3mm	X: 160gf
TD-20XE-*	5.1mm	E: 200gf
		Z: 250gf



P. C. B LAYOUT

1. Material/Plated
 - 1.1 Stem: Rubber, Blue
 - 1.2 Cover: Stainless steel
 - 1.3 Contact: Stainless steel, Silver Plated
 - 1.4 Terminal: Stainless steel, Silver Coating
 - 1.5 Case: PA, Black
2. Electrical Performance
 - 2.1 Rated Voltage: 12V AC
 - 2.2 Rated Current: 50mA
 - 2.3 Contact Resistance: 100mΩ Max.
 - 2.4 Insulation Resistance: 100MΩ Min.
 - 2.5 Dielectric Strength: 250V AC
3. Mechanical Performance
 - 3.1 Operating Force: See The table
 - 3.2 Travel: 0.40±0.20mm
 - 3.3 Durability: 100,000 Cycles
4. Operating Temperature: -25° C To +85° C

A
B
C
D
E
F
G
H

1 2 3 4 5 6 7 8 9 10 11

					DRAWN	Tom	2018-06-13	DIMENSION TOLERANCE X X.X ±0.35 X.XX ±0.25 X.XXX ±0.15 GENERAL ANGLE: ±3° UNIT: mm		东莞市实邦电子有限公司 IDSTRB ELECTRONIC CO., LTD	
					CHECKED	Ango	2018-06-13			TITLE	TACT SWITCH
					APPROVE	Kevin	2018-06-13		PART NO.	TD-20A*-*	
REV.	DESCRIPTION			ECN NO.	NAME	DATE	SCALE: N/A	SHEET: 1 OF 1	DWG. NO.		
REVISIONS											