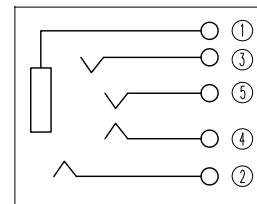
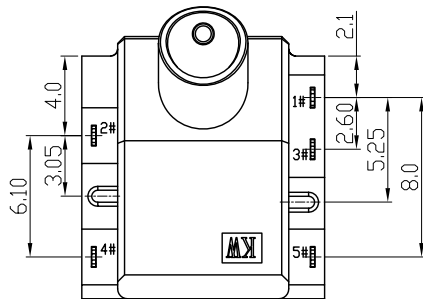
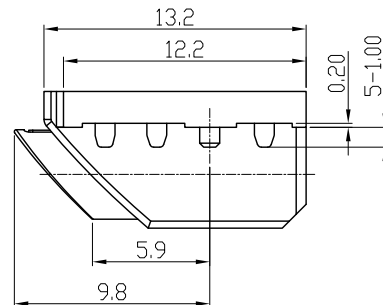
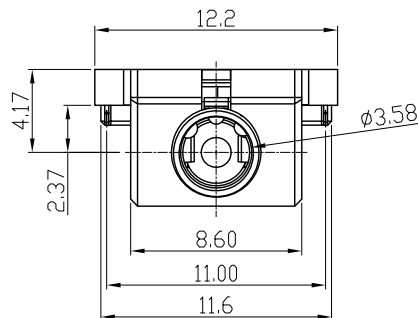
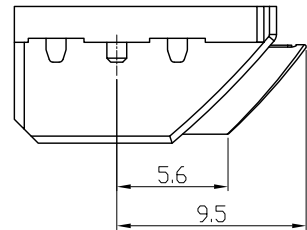
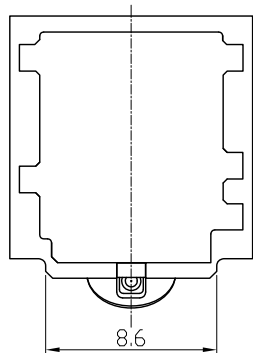
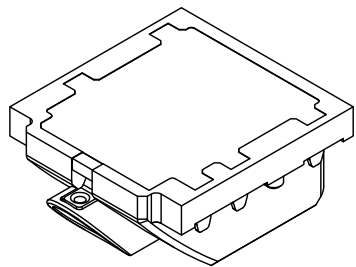


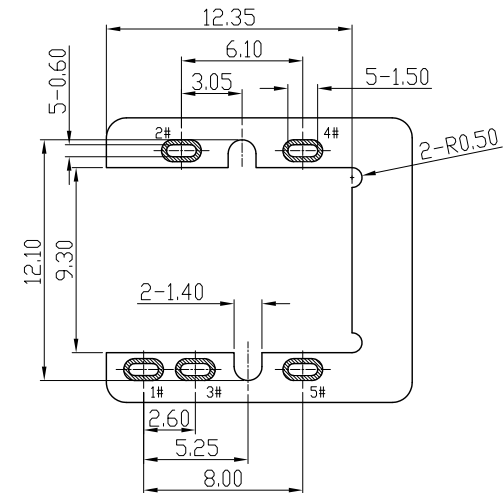
1 2 3 4 5 6 7 8 9 10 11

A
B
C
D
E
F
G
H




SCHMATIC

- 1. Material/Plated
 - 1.1 Housing:PPA,Black UL 94V-0.
 - 1.2 Terminal:Copper Alloy,Gold Plated
 - 1.3 Rubber Ring:Silica Gel
- 2. Electrical Performance
 - 2.1 Rated Voltage: 30V AC
 - 2.2 Rated Current: 1.0A
 - 2.3 Contact Resistance: 100mΩ Max.
 - 2.4 Insulation Resistance: 100MΩ Min.
 - 2.5 Dielectric Strength: 500V AC
- 3. Mechanical Performance
 - 3.1 Insertion Force: 3-30N
 - 3.2 Withdrawal Force: 3-30N
 - 3.3 Durability: 5000 Cycles
- 4. Operating Temperature: -25° C To +85° C
- 5. Dustproof and waterproof grade:IP67



PCB LAYOUT

					DRAWN	Tom	2018-06-13	DIMENSION TOLERANCE X ±0.35 X.X ±0.25 X.XXX ±0.15 GENERAL ANGLE: ±3° UNIT: mm	 东莞市实邦电子有限公司 IDSTRB ELECTRONIC CO., LTD	
					CHECKED	Ango	2018-06-13			
					APPROVE	Kevin	2018-06-13		TITLE	3.5 PHONE JACK WATERPROOF
A	NEW RELEASE			Tom	2018-06-13				PART NO.	PJ-388X
REV.	DESCRIPTION			ECN NO.	NAME	DATE	SCALE: N/A	SHEET: 1 OF 1	DWG. NO.	
REVISIONS										