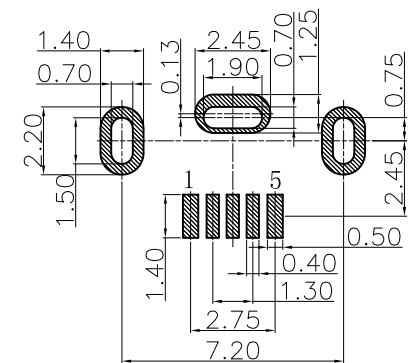



1. Material/Plated
 - 1.1 Housing:LCP,Black UL 94V-0.
 - 1.2 Plastic Hood:LCP,Black UL 94V-0.
 - 1.3 Terminal:Copper Alloy,Gold Flash Plated At Contact Area, Tin Plated At Soldered Area, Nickel Underplated Overall
 - 1.4 Shell:Stainless steel,Tin/Nickel plated Overall
 - 1.5 Seal Ring:Silica gel
 - 1.6 Glue:Black
2. Electrical Performance
 - 2.1 Rated Voltage: 30V AC
 - 2.2 Rated Current: 1,5Pin: 3.0A Max. 2,3,4Pin: 1.0A Max.
 - 2.3 Contact Resistance: 30mΩ Max.
 - 2.4 Insulation Resistance: 1000MΩ Min.
 - 2.5 Dielectric Strength: 100V AC
3. Mechanical Performance
 - 3.1 Insertion Force: 35N Max.
 - 3.2 Withdrawal Force: 8-35N
 - 3.3 Durability: 10000 Cycles
4. Operating Temperature: -25° C To +85° C
5. Waterproof: IPX8



PCB LAYOUT

					DRAWN	Tom	2019-07-31	DIMENSION TOLERANCE X X.X ±0.35 X.XX ±0.25 X.XXX ±0.15 GENERAL ANGLE: ±3° UNIT: mm	 东莞市实邦电子有限公司 IDSTRB ELECTRONIC CO., LTD	TITLE	MICRO USB B 5P ST WATERPROOF
				CHECKED	Ango	2019-07-31	PART NO.			UMX-023W1AP	
				APPROVE	Kevin	2019-09-18	DWG. NO.				
				SCALE: N/A	SHEET: 1 OF 1		LEVEL		C31		
REVISIONS											
A	NEW RELEASE		Tom	2019-07-31							
REV.	DESCRIPTION	ECN NO.	NAME	DATE							