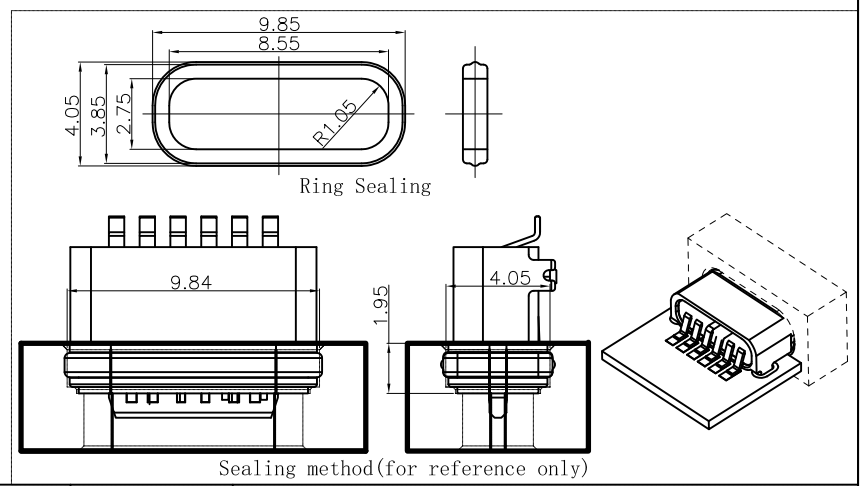


1. Material/Plated
- 1.1 Housing: High temperature thermoplastic, Black UL 94V-0.
 - 1.2 Terminal: Copper Alloy, Gold Plated Nickel Underplated
 - 1.3 Shell: Zinc Alloy, Nickel plated
 - 1.4 Ring: Silicon
 - 1.5 Epoxy: Epoxy, Black
2. Electrical Performance
- 2.1 Rated Voltage: 30V AC
 - 2.2 Rated Current: 5.0A Max.
 - 2.3 Contact Resistance: 40mΩ Max.
 - 2.4 Insulation Resistance: 100MΩ Min.
 - 2.5 Dielectric Strength: 100V AC
3. Mechanical Performance
- 3.1 Insertion Force: 5-20N
 - 3.2 Withdrawal Force: 6-20N
 - 3.3 Durability: 10000 Cycles
4. Operating Temperature: -25° C To +85° C
5. Waterproof: IPX7

Connector Pin Assignments

A5	CC1	B12	GND
A9	VBUS	B9	VBUS
A12	GND	B5	GND
PIN	SIGNAL NAME	PIN	SIGNAL NAME

RECOMMENDED PCB LAYOUT
TOLERANCE UNSPECIFIED: ±0.05mm



Sealing method (for reference only)

					DRAWN	Tom	2019-09-23	DIMRNSION TOLERANCE X X.X ±0.35 X.XX ±0.25 X.XXX ±0.15 GENERAL ANGLE: ±3° UNIT: mm	东莞市实邦电子有限公司 IDSTRB ELECTRONIC CO., LTD	TITLE	USB TYPE-C F 6P WATERPROOF
				CHECKED	Ango	2019-09-23	PART NO.			UCX-038S1A	
A	NEW RELEASE		Tom	2019-09-23	APPROVE	Kevin	2019-09-23		DWG. NO.		
REV.	DESCRIPTION	ECN NO.	NAME	DATE	SCALE: N/A	SHEET: 1 OF 1					
REVISIONS											