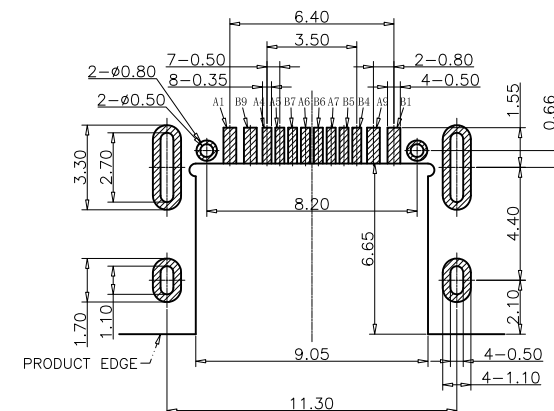
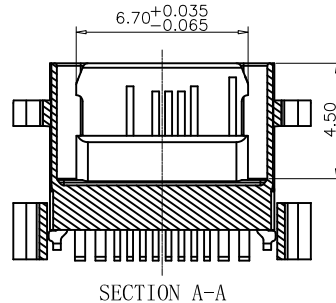
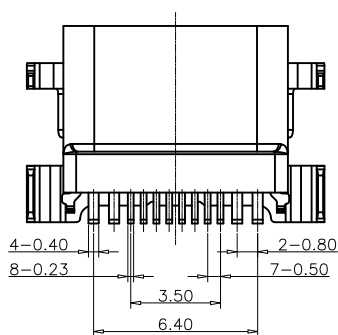
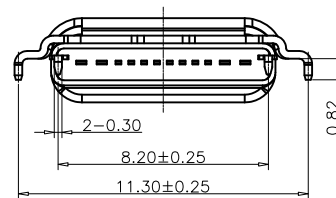
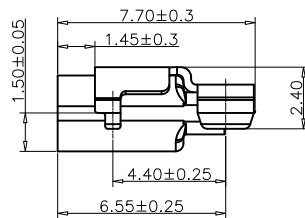
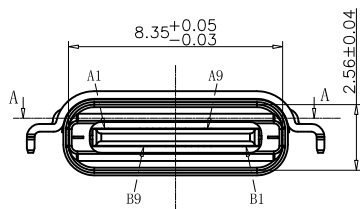
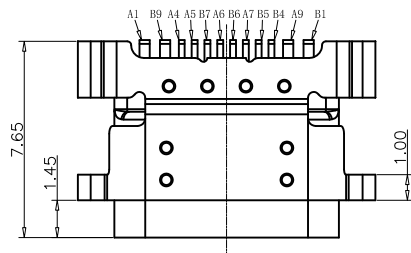


A
B
C
D
E
F
G
H



RECOMMENDED PCB LAYOUT
TOLERANCE UNSPECIFIED: ±0.05mm

1. Material/Plated
 - 1.1 Housing: LCP, Black UL 94V-0.
 - 1.2 Terminal: Copper Alloy, Gold/Tin Plated
 - 1.3 Mid Plate: Stainless Steel
 - 1.4 Shell-1: Stainless Steel, Nickel plated
 - 1.5 Shell-2: Stainless Steel, Nickel plated
 - 1.6 Epoxy: Epoxy
2. Electrical Performance
 - 2.1 Rated Voltage: 30V AC
 - 2.2 Rated Current: 3.0A Max.
 - 2.3 Contact Resistance: 40mΩ Max.
 - 2.4 Insulation Resistance: 100MΩ Min.
 - 2.5 Dielectric Strength: 100V AC
3. Mechanical Performance
 - 3.1 Insertion Force: 5-20N
 - 3.2 Withdrawal Force: 6-20N
 - 3.3 Durability: 10000 Cycles
4. Operating Temperature: -25° C To +85° C
5. Waterproof: IPX7

Connector Pin Assignments

A1	GND	B9	VBUS
A4	VBUS	B7	DN2
A5	CC1	B6	DP2
A6	DP1	B5	CC2
A7	DN1	B4	VBUS
A9	VBUS	B1	GND
PIN	SIGNAL NAME	PIN	SIGNAL NAME

DRAWN	Tom	2023-04-22	DIMENSION TOLERANCE X X.X ±0.35 X.XX ±0.25 X.XXX ±0.15 GENERAL ANGLE: ±3° UNIT: mm
CHECKED	Ango	2023-04-22	
APPROVE	Kevin	2023-04-22	
SCALE: N/A	SHEET: 1 OF 1		
LEVEL	CXX		



东莞市实邦电子有限公司
IDSTRB ELECTRONC CO., LTD

TITLE	USB TYPE-C F 12P SINKING PLATE TYPE
PART NO.	UCX-064C1A
DWG. NO.	

REV.	DESCRIPTION	ECN NO.	NAME	DATE
A	NEW RELEASE		Tom	2023-04-22
REVISIONS				