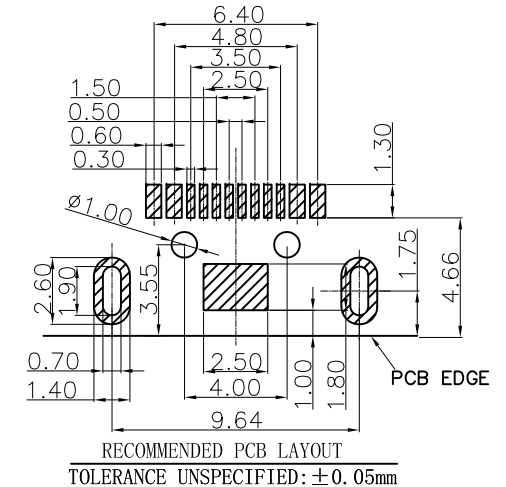
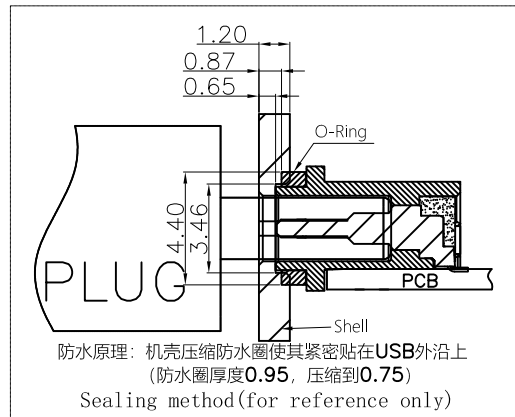
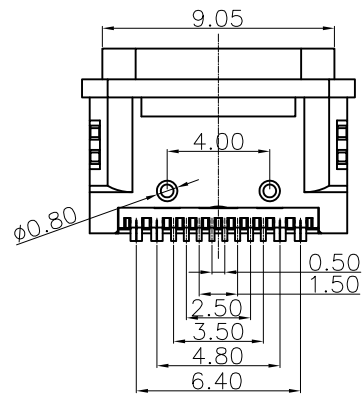
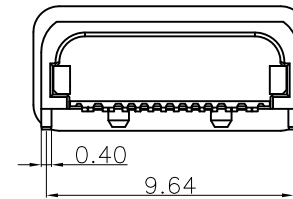
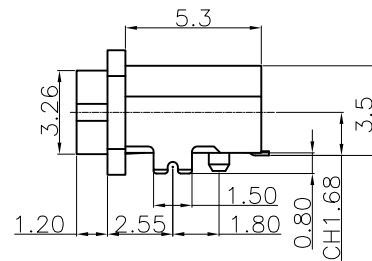
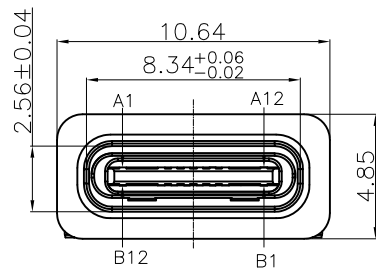
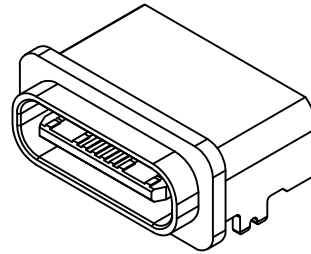
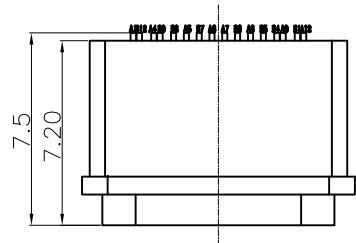


1. Material/Plated
 - 1.1 Housing: PA9T/LCP, Black UL 94V-0.
 - 1.2 Terminal: Copper Alloy, Gold/Tin Plated
 - 1.3 Shell: Zinc Alloy, Tin/Nickel plated
 - 1.4 O-Ring: Silicon
 - 1.5 Middle Plate: Stainless Steel
 - 1.6 Epoxy: Epoxy, Black
2. Electrical Performance
 - 2.1 Rated Voltage: 30V AC
 - 2.2 Rated Current: 5.0A Max.
 - 2.3 Contact Resistance: 40mΩ Max.
 - 2.4 Insulation Resistance: 100MΩ Min.
 - 2.5 Dielectric Strength: 100V AC
3. Mechanical Performance
 - 3.1 Insertion Force: 5-20N
 - 3.2 Withdrawal Force: 6-20N
 - 3.3 Durability: 10000 Cycles
4. Operating Temperature: -25° C To +85° C
5. Waterproof: IPX7

Connector Pin Assignments

A1	GND	B12	GND
A4	VBUS	B9	VBUS
A5	CC1	B8	SBU2
A6	DP1	B7	DN2
A7	DN1	B6	DP2
A8	SBU1	B5	CC2
A9	VBUS	B4	VBUS
A12	GND	B1	GND
PIN	SIGNAL NAME	PIN	SIGNAL NAME



REV.	DESCRIPTION	ECN NO.	NAME	DATE	SCALE: N/A	SHEET: 1 OF 1
A	NEW RELEASE		Tom	2023-08-16		

DRAWN	Tom	2023-08-16	DIMENSION TOLERANCE X ±0.35 X.X ±0.25 X.XXX ±0.15 GENERAL ANGLE: ±3° UNIT: mm	 东莞市实邦电子有限公司 IDSTRB ELECTRONC CO., LTD
CHECKED	Ango	2023-08-16		
APPROVE	Kevin	2023-08-16	TITLE	USB TYPE-C F 16P SMT TYPE
			PART NO.	UCX-072S1A
			DWG. NO.	