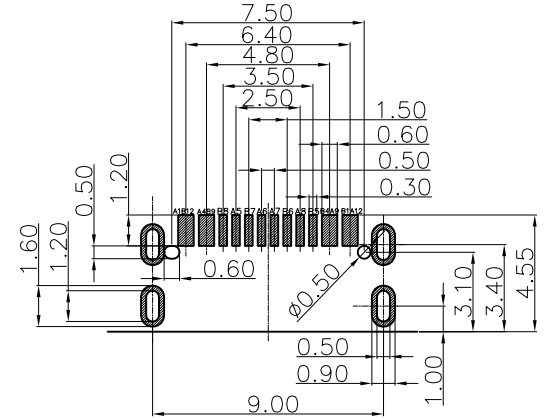
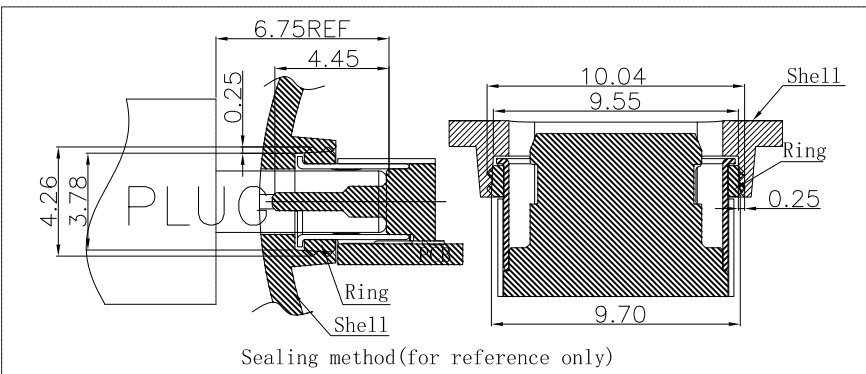
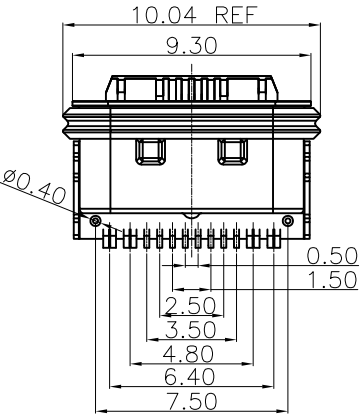
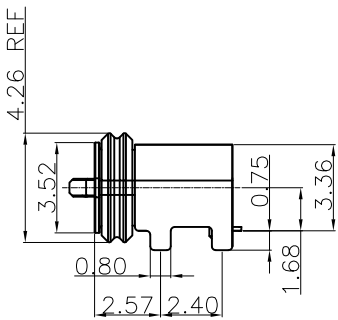
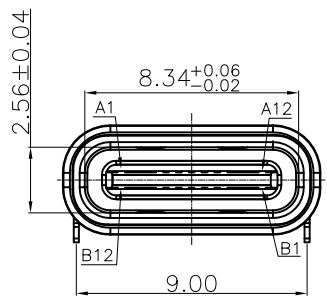
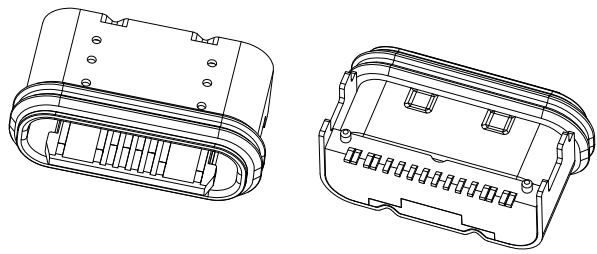
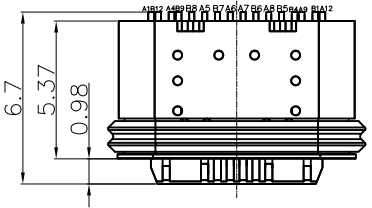


- 1. Material/Plated
  - 1.1 Housing: PA9T/LCP, Black UL 94V-0.
  - 1.2 Terminal: Copper Alloy, Gold/Tin Plated
  - 1.3 Out Shell: Stainless Steel, Tin/Nickel plated
  - 1.4 Inner Shell: Stainless Steel
  - 1.5 O-Ring: Silicon
  - 1.6 Middle Plate: Stainless Steel
- 2. Electrical Performance
  - 2.1 Rated Voltage: 30V AC
  - 2.2 Rated Current: 5.0A Max.
  - 2.3 Contact Resistance: 40mΩ Max.
  - 2.4 Insulation Resistance: 100MΩ Min.
  - 2.5 Dielectric Strength: 100V AC
- 3. Mechanical Performance
  - 3.1 Insertion Force: 5-20N
  - 3.2 Withdrawal Force: 6-20N
  - 3.3 Durability: 10000 Cycles
- 4. Operating Temperature: -25° C To +85° C
- 5. Waterproof: IPX5

Connector Pin Assignments

PIN	SIGNAL NAME	PIN	SIGNAL NAME
A1	GND	B12	GND
A4	VBUS	B9	VBUS
A5	CC1	B8	SBU2
A6	DP1	B7	DN2
A7	DN1	B6	DP2
A8	SBU1	B5	CC2
A9	VBUS	B4	VBUS
A12	GND	B1	GND



RECOMMENDED PCB LAYOUT  
TOLERANCE UNSPECIFIED: ±0.05mm

REV.	DESCRIPTION	ECN NO.	NAME	DATE	DRAWN	CHECKED	APPROVE	SCALE: N/A	SHEET: 1 OF 1
A	NEW RELEASE		Tom	2023-08-16	Tom	Ango	Kevin		

**实邦® 东莞市实邦电子有限公司**  
SHIBANG Dongguan Shibang Electronic Co., Ltd.

TITLE: USB TYPE-C F 16P SMT TYPE

PART NO.: UCX-071S1A

DWG. NO.:

REVISIONS

DIMENSION TOLERANCE  
x ±0.35  
x.X ±0.25  
x.XX ±0.15  
GENERAL ANGLE: ±3°  
UNIT: mm

LEVEL C31