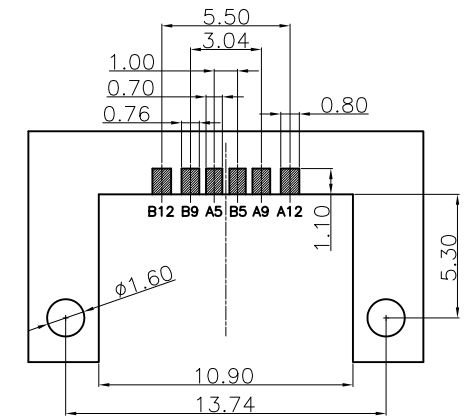
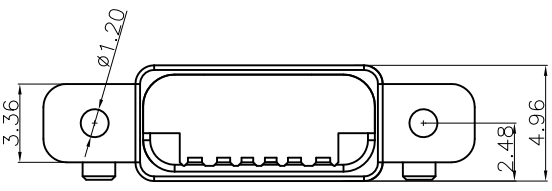
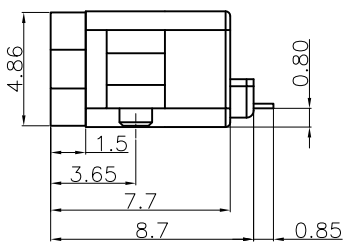
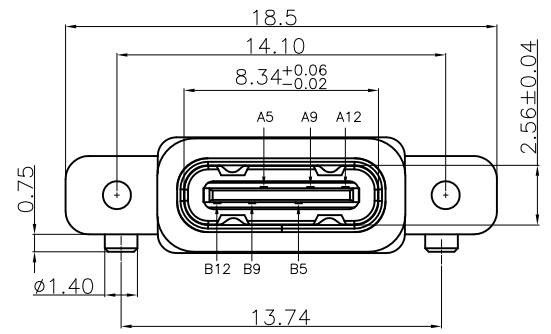


1. Material/Plated
- 1.1 Housing: HIGH TEMPERATURE PLASTIC, Black UL 94V-0.
 - 1.2 Terminal: Copper Alloy C5191, Gold/Tin Plated
 - 1.3 Shielding Plate: Stainless Steel
 - 1.4 Shell: Stainless Steel, Nickel Plated
 - 1.5 Ring: Silicon Black
2. Electrical Performance
- 2.1 Rated Voltage: 30V AC
 - 2.2 Rated Current: 5.0A Max.
 - 2.3 Contact Resistance: 40mΩ Max.
 - 2.4 Insulation Resistance: 100MΩ Min.
 - 2.5 Dielectric Strength: 100V AC
3. Mechanical Performance
- 3.1 Insertion Force: 5-20N
 - 3.2 Withdrawal Force: 6-20N
 - 3.3 Durability: 10000 Cycles
4. Operating Temperature: -25° C To +85° C
5. Waterproof: IPX7

Connector Pin Assignments

A5	CC1	B12	GND
A9	VBUS	B9	VBUS
A12	GND	B5	CC2
PIN	SIGNAL NAME	PIN	SIGNAL NAME



RECOMMENDED PCB LAYOUT
TOLERANCE UNSPECIFIED: ±0.05mm

					DRAWN	Tom	2020-11-23	DIMENSION TOLERANCE X X.X ±0.35 X.XX ±0.25 X.XXX ±0.15 GENERAL ANGLE: ±3° UNIT: mm
					CHECKED	Ango	2020-11-23	
					APPROVE	Kevin	2020-11-23	
					SCALE: N/A	SHEET: 1 OF 1		
A	NEW RELEASE		Tom	2020-11-23				LEVEL CXX
REV.	DESCRIPTION	ECN NO.	NAME	DATE				
REVISIONS								

东莞市实邦电子有限公司
IDSTRB ELECTRONIC CO., LTD

TITLE	USB TYPE-C F 6P SINKING PLATE TYPE
PART NO.	UCX-061C1A
DWG. NO.	