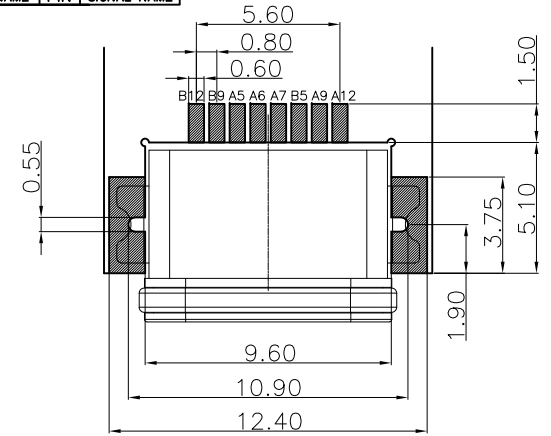


Sealing method(for reference only)

1. Material/Plated
  - 1.1 Housing: LCP E130i, Black UL 94V-0.
  - 1.2 Terminal: Copper Alloy C5191, Gold/Tin Plated
  - 1.3 Shell: Zinc Alloy, Nickel/Tin plated
  - 1.4 Ring: Silicon White/Red
  - 1.5 Epoxy: Epoxy, Black
  - 1.6 Shielding Plate: Stainless steel
2. Electrical Performance
  - 2.1 Rated Voltage: 30V AC
  - 2.2 Rated Current: 3.0A Max.
  - 2.3 Contact Resistance: 40mΩ Max.
  - 2.4 Insulation Resistance: 100MΩ Min.
  - 2.5 Dielectric Strength: 100V AC
3. Mechanical Performance
  - 3.1 Insertion Force: 5-20N
  - 3.2 Withdrawal Force: 6-20N
  - 3.3 Durability: 10000 Cycles
4. Operating Temperature: -25° C To +85° C
5. Waterproof: IPX7

Connector Pin Assignments

		B12	GND
		B9	VBUS
A5	CC1		
A6	DP1		
A7	DN1		
		B5	CC2
A9	VBUS		
A12	GND		
PIN	SIGNAL NAME	PIN	SIGNAL NAME



RECOMMENDED PCB LAYOUT  
TOLERANCE UNSPECIFIED: ±0.05mm

						DRAWN	Tom	2023-08-16	DIMENSION TOLERANCE X ±0.35 X.X ±0.25 X.XX ±0.15 GENERAL ANGLE: ±3° UNIT: mm	<b>实邦®</b> 东莞市实邦电子有限公司 SHIBANG Dongguan Shibang Electronic Co., Ltd.	TITLE	USB TYPE-C F 8P SINKING PLATE TYPE
					CHECKED	Ango	2023-08-16	PART NO.			UCX-070C1A	
A	NEW RELEASE		Tom	2023-08-16	APPROVE	Kevin	2023-08-16	DWG. NO.				
REV.	DESCRIPTION	ECN NO.	NAME	DATE	SCALE: N/A	SHEET: 1 OF 1						
REVISIONS												