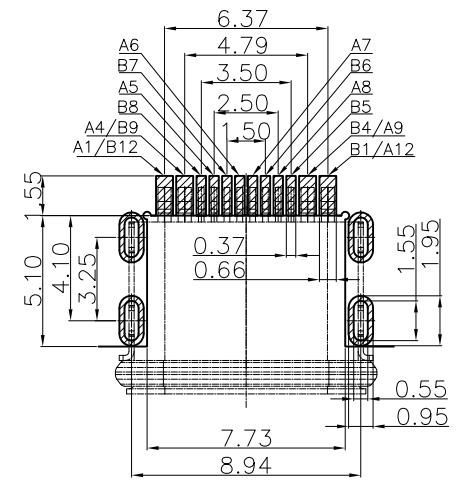


Connector Pin Assignments

A1	GND	B12	GND
A4	VBUS	B9	VBUS
A5	CC1	B8	SBU2
A6	DP1	B7	DN2
A7	DN1	B6	DP2
A8	SBU1	B5	CC2
A9	VBUS	B4	VBUS
A12	GND	B1	GND
PIN	SIGNAL NAME	PIN	SIGNAL NAME



RECOMMENDED PCB LAYOUT  
TOLERANCE UNSPECIFIED: ±0.05mm

- Material/Plated
  - Housing: High temperature thermoplastic, Black UL 94V-0.
  - Terminal: Copper Alloy, Gold Flash Plated Overall
  - Shell: SUS304, Nickel plated Overall
  - Out Shell: SUS304, Nickel plated Overall
  - Middle Plate: SUS301
  - Ring: Silicon, White/Blue
  - Epoxy: Epoxy, Black
- Electrical Performance
  - Rated Voltage: 30V AC
  - Rated Current: 5.0A Max.
  - Contact Resistance: 40mΩ Max.
  - Insulation Resistance: 100MΩ Min.
  - Dielectric Strength: 100V AC
- Mechanical Performance
  - Insertion Force: 5-20N
  - Withdrawal Force: 6-20N
  - Durability: 10000 Cycles
- Operating Temperature: -25° C To +85° C
- Waterproof: IPX8

					DRAWN	Tom	2024-09-12	DIMENSION TOLERANCE X ±0.35 X.X ±0.25 X.XX ±0.15 GENERAL ANGLE: ±3° UNIT: mm
					CHECKED	Ango	2024-09-12	
					APPROVE	Kevin	2024-09-12	
					SCALE: N/A	SHEET: 1 OF 1		
A	NEW RELEASE		Tom	2024-09-12				
REV.	DESCRIPTION	ECN NO.	NAME	DATE				
REVISIONS								

**实邦®** 东莞市实邦电子有限公司  
SHIBANG Dongguan Shibang Electronic Co., Ltd.

TITLE: **USB TYPE-C F 16P WATERPROOF**

PART NO.: **UCX-077S1A**

DWG. NO.: