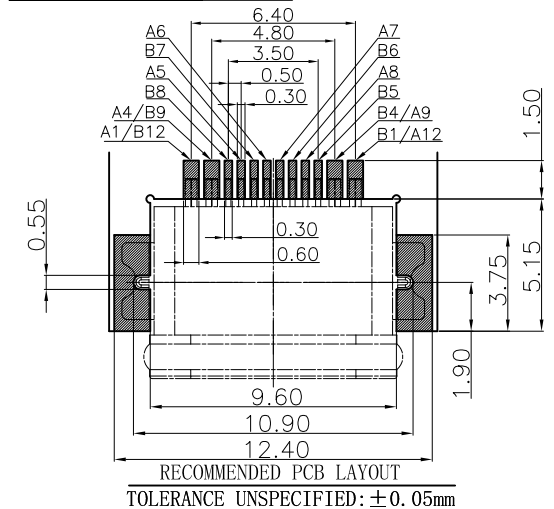
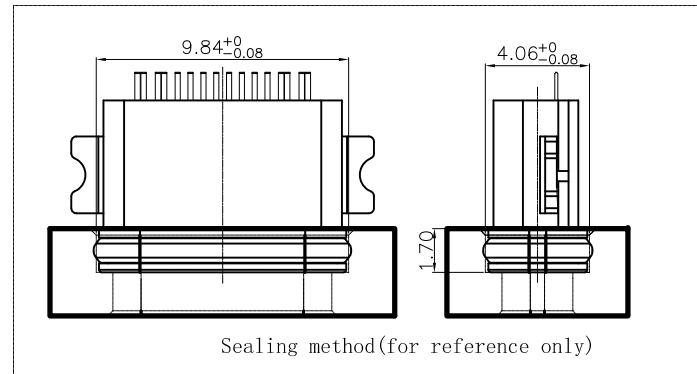
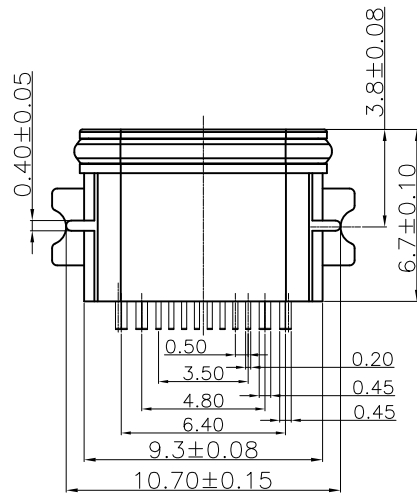


1. Material/Plated
 - 1.1 Housing: High temperature thermoplastic, Black UL 94V-0.
 - 1.2 Terminal: Copper Alloy, Gold Plated
 - 1.3 Shell: Zinc Alloy, Tin/Nickel plated
 - 1.4 Ring: Silicon, White/Blue
 - 1.5 Epoxy: Epoxy, Black
 - 1.6 MID Plate: Stainless steel
 - 1.7 EMC Pad: Stainless steel
2. Electrical Performance
 - 2.1 Rated Voltage: 30V AC
 - 2.2 Rated Current: 5.0A Max.
 - 2.3 Contact Resistance: 40mΩ Max.
 - 2.4 Insulation Resistance: 100MΩ Min.
 - 2.5 Dielectric Strength: 100V AC
3. Mechanical Performance
 - 3.1 Insertion Force: 5-20N
 - 3.2 Withdrawal Force: 8-20N
 - 3.3 Durability: 10000 Cycles
4. Operating Temperature: -25° C To +85° C
5. Waterproof: IPX8

Connector Pin Assignments

PIN	SIGNAL NAME	PIN	SIGNAL NAME
A1	GND	B12	GND
A4	VBUS	B9	VBUS
A5	CC1	B8	SBU2
A6	DP1	B7	DN2
A7	DN1	B6	DP2
A8	SBU1	B5	CC2
A9	VBUS	B4	VBUS
A12	GND	B1	GND

TID: 10849
EN IEC 62680-1-3 Test Report: I23N02204-002-COM



					DRAWN	Tom	2023-07-05	DIMENSION TOLERANCE X X.X ±0.35 X.XX ±0.25 X.XXX ±0.15 GENERAL ANGLE: ±3° UNIT: mm	实邦® 东莞市实邦电子有限公司 SHIBANG Dongguan Shibang Electronic Co., Ltd.	
				CHECKED	Ango	2023-07-05	TITLE		USB TYPE-C F 16P SINKING PLATE TYPE	
				APPROVE	Kevin	2023-07-05	PART NO.		UCX-067C	
				SCALE: N/A	SHEET: 1 OF 1		DWG. NO.			
A	NEW RELEASE		Tom	2023-07-05						
REV.	DESCRIPTION	ECN NO.	NAME	DATE						
REVISIONS										